

PRODUCT NUMBER: 074/HIE/GEN3

Tappex® Generation 3 Heat Inserter for press-in Threaded Inserts



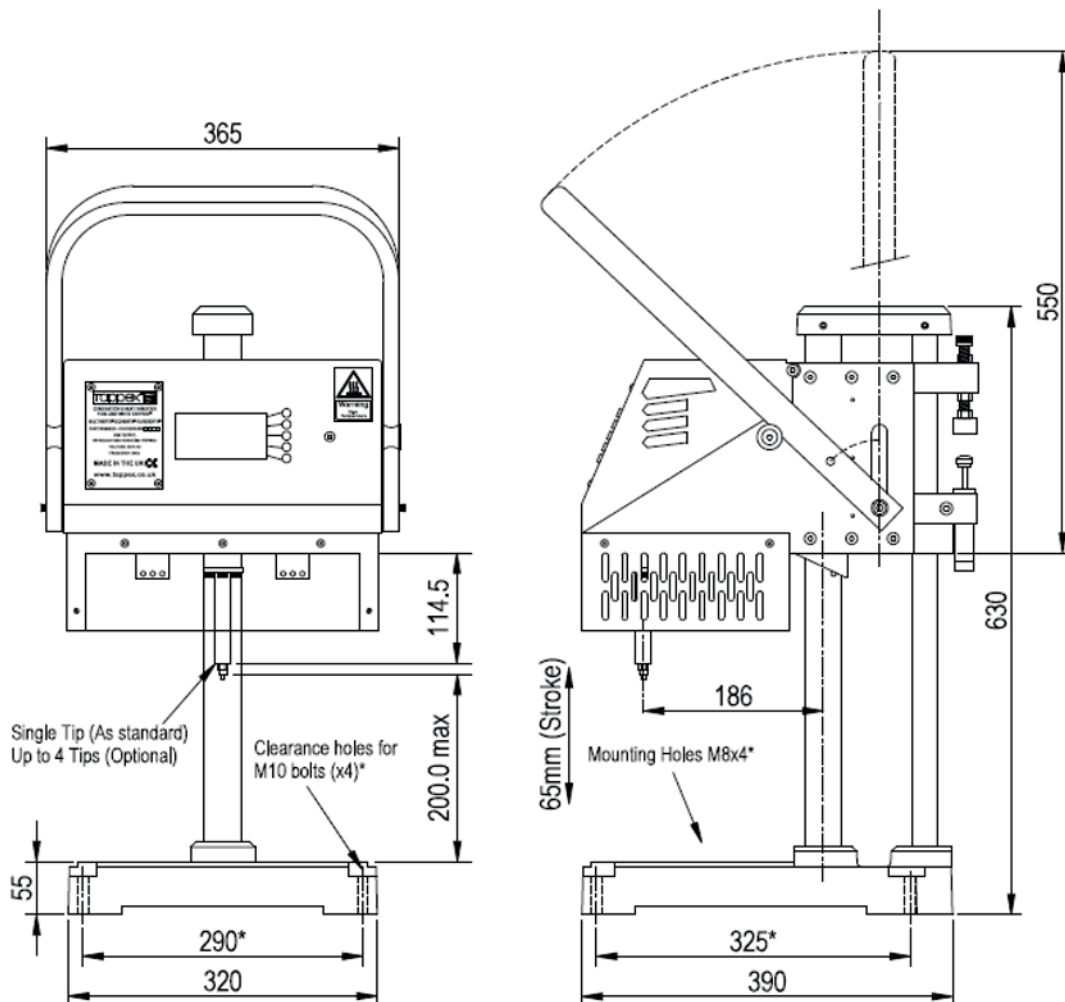
The Tappex® Generation 3 Heat Inserter is designed to allow quick, easy and repeatable heat installation of a range of threaded inserts for press-in like Tappex Multiserts® and Microbarbs®.

The standard version of the **Tappex® Generation 3 Heat Inserter** is equipped with a single heater cartridge for installing one insert at one time.

In addition to the standard version the Generation 3 Heat Inserter is capable of installing **up to 4 inserts at multiple heights at one time** with additional cartridges fitted. This is application specific and there will be design work / additional machining required - **please contact us for further details.**

Key features:

- Switched operator and setter modes.
- Installation Speed Control.
- Variable Temperature up to 450 C.
- Operation handle suitable for left or right hand operation.
- CE certified;
EMC – EN61000-6-4: 2007 + A1: 2001.
- Machinable base plate and top plate for jigs and fixtures.
- Rugged Construction.
- Maximum working height with tip removed 220 mm.
- [Standard tips protrude approximately 25 mm.]
- Stroke length - 65 mm
- Secure, lockable setting enclosure.
- Depth verification Indicator light.
- Adjustable Stop position.
- Voltage 110 - 230V AC 50 - 60Hz.
Output 400W, up to 4 off Max. 1600W.
- Electrical safety;
EN61010 – 1: 2010 + A1: 2019



* See baseplate drawing for details